

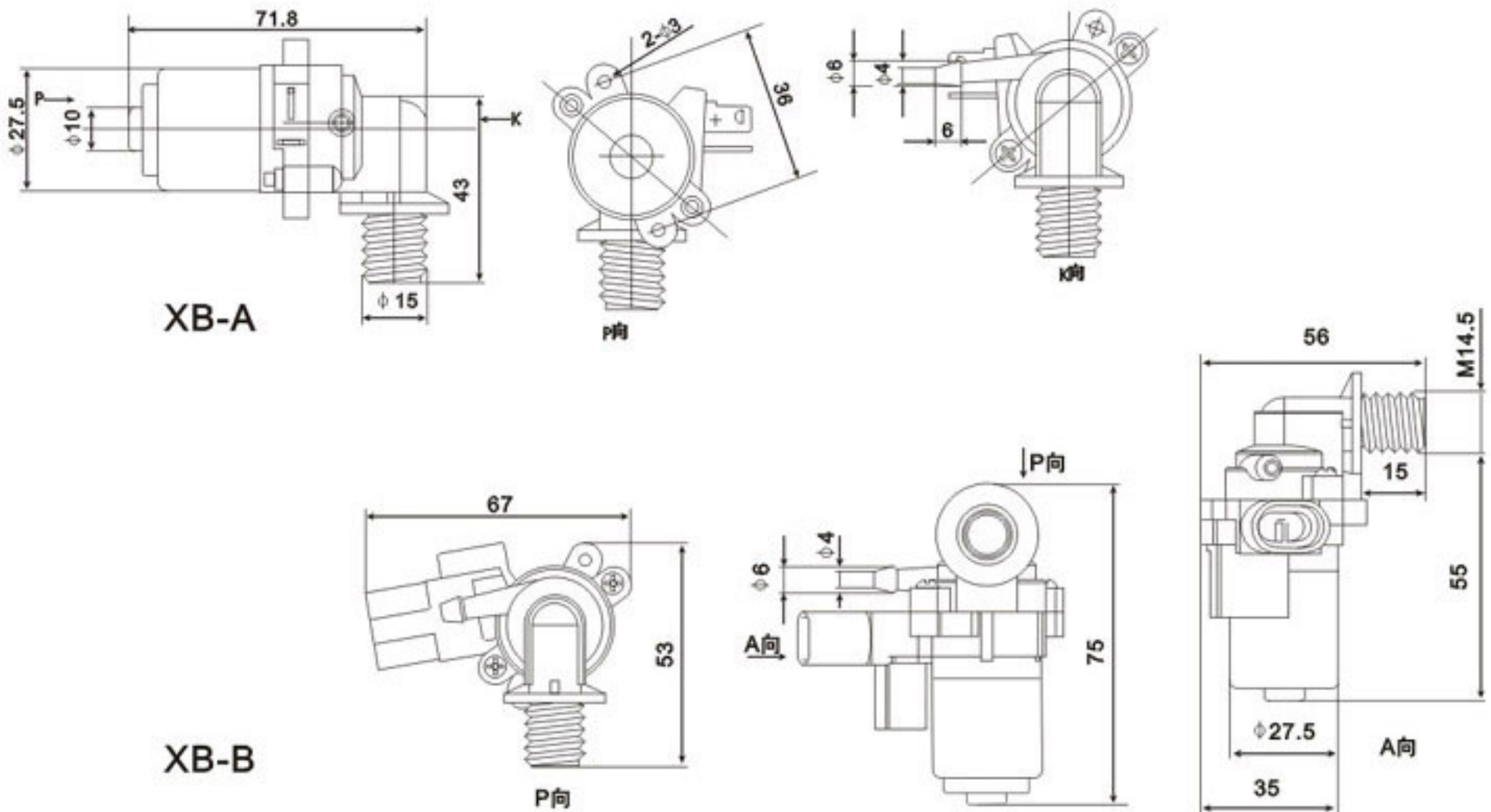


Applications:

- Kitchen exhaust fan
- Automobile wind shield Cleansing pump
- Foot massage machine
- Cleansing utility

Model	Operating voltage	Standard voltage	Noload current	Load current	Flow rate	Flow distance	Pressure	Noise
XB-A/B-2360	8-12V	12V	≤0.4A	≤1.2A	≥70ml/s	≥ 200cm	≥0.07Mpa	≤75dB,10cm处

Above the product may match the single direction valve, filter the net, cleansing tank and pipe line etc...



※ OEM Designs are Welcome