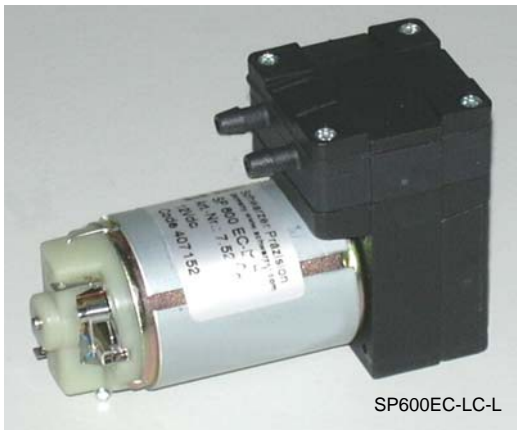




Schwarzer  
Präzision

## Eccenter-Diaphragm-Pumps for Liquids SP 600 EC-L Series

oil free  
maintenance free  
reduced vibrations  
quiet  
small  
lightweight  
minimal current consumption



industrial  
medical  
laboratory and analytical  
cooling and heating  
cleaning

Steeler Strasse 477, 45276 Essen, Germany  
Phone: +49 201 316970, Fax: +49 201 3169729  
e-mail: [info@schwarzer.com](mailto:info@schwarzer.com)  
[www.schwarzer.com](http://www.schwarzer.com)

The pumps listed below represent a typical selection of our wide range of eccentric pumps and are intended for initial tests. Customised versions for your individual application would be made without extra costs - please contact us.

Designation	SP 600 EC-LC-L		SP 600 EC-L		
Art.No. 6 Vdc			7.52.17		
Art.No. 12 Vdc	7.52.10			7.52.18	
Art.No. 24 Vdc		7.52.11			7.52.19

### Hydraulic Performance (measured with water)

	at:	12 Vdc	24 Vdc	6 Vdc	12 Vdc	24 Vdc
free flow [ml/min]		310	340	350	300	300
max. pressure height* [Meters Water Column]		>10	>10	>10	>10	>10
<b>* (although the pumps are able to produce pressure above 10 mWC, it is not recommended to exceed this limit)</b>						
		<b>Suction Side:</b>				
max. suction height [Meters Water Column]		2,2	2,4	2,0	2,1	2,35

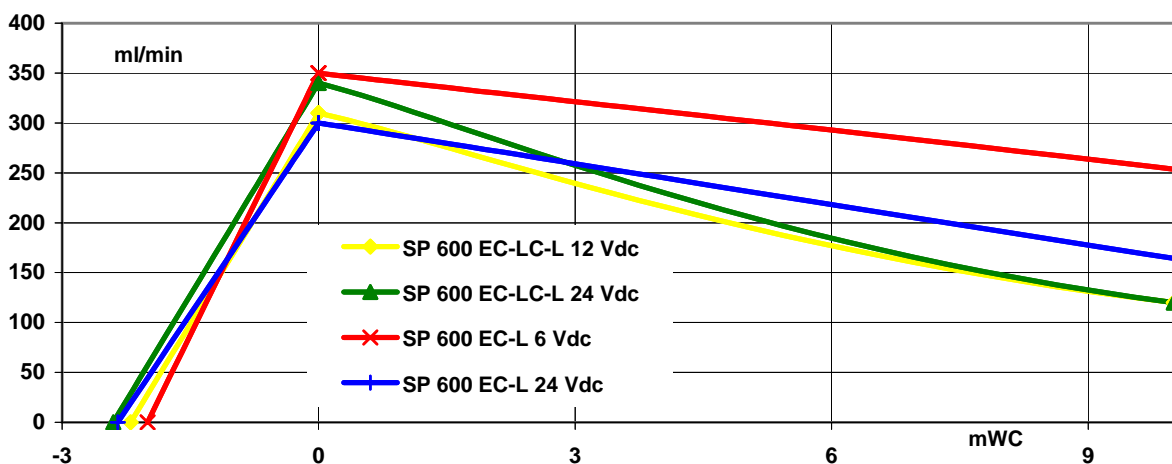
### Power Consumption

Motor Type	Iron Core DC with Electromagnetic Suppression				
optional	brushless				
max. current [mA]	760	250	840	230	130

### Material

Pump Body/Head	Standard	PA6	PA6	PA6	PA6	PA6
Optional		customer specific - upon request				
Diaphragm, Valves	Standard	EPDM	EPDM	EPDM	EPDM	EPDM
Optional		Viton	Viton	Viton	Viton	Viton

### Performance Curves



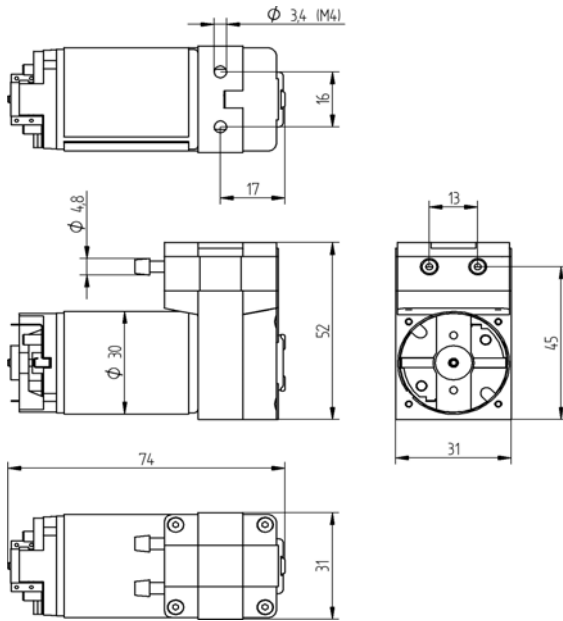


Schwarzer  
Präzision

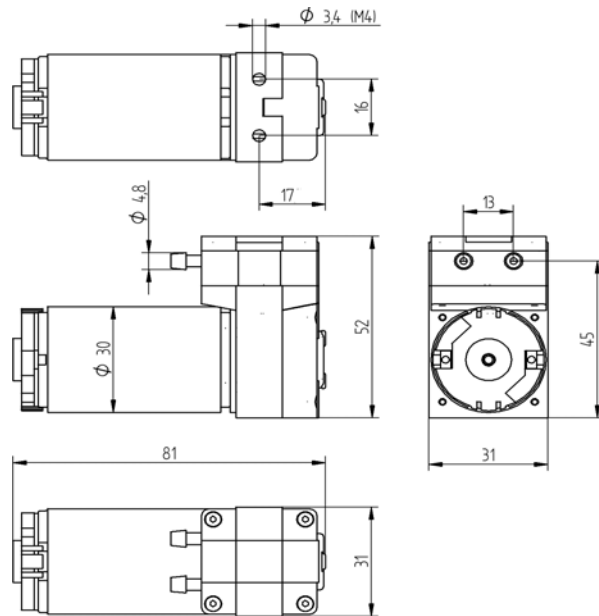
# Eccenter-Diaphragm-Pumps for Liquids SP 600 EC-L Series

## Drawings

SP 600 EC-LC-L



SP 600 EC-L



Steeler Strasse 477, 45276 Essen, Germany  
Phone: +49 201 316970, Fax: +49 201 3169729  
e-mail: [info@schwarzer.com](mailto:info@schwarzer.com)  
[www.schwarzer.com](http://www.schwarzer.com)