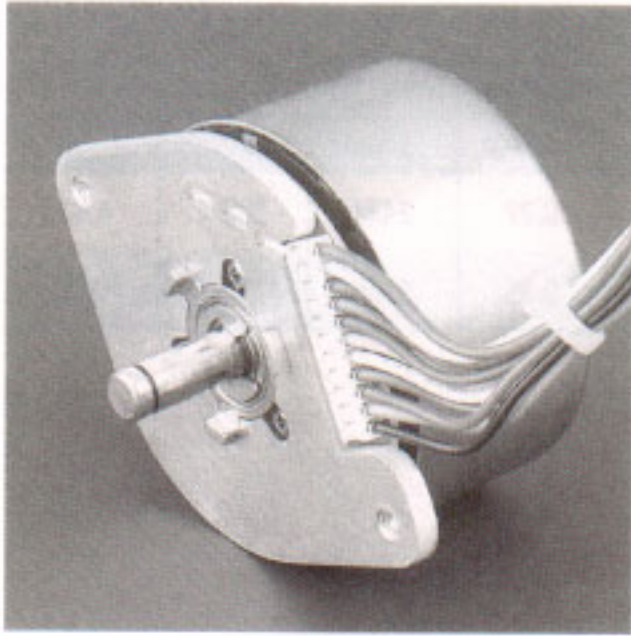


FBR5030

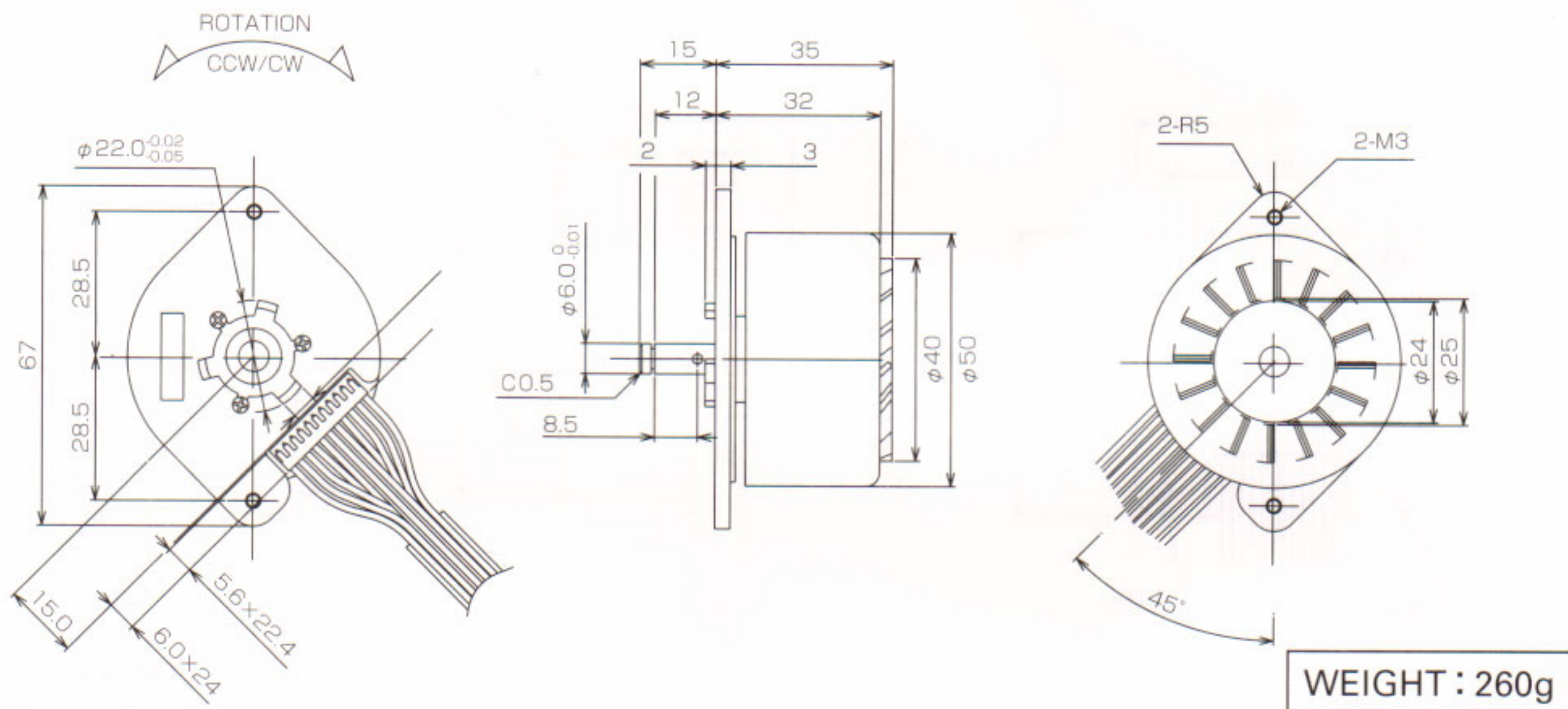
FB-806

主な用途 / コピー機
貨幣般送機

Main Application / Copying machine
Coin carrier



MODEL	VOLTAGE		NO LOAD		AT MAXIMUM EFFICIENCY				STALL		
	OPERATING RANG	RATED	SPEED	CURRENT	TORQUE		SPEED	CURRENT	TORQUE		
			r/min	A	g-cm	mN-m	r/min	A	g-cm	mN-m	A
FBR5030 A	10~30	24	3000	0.08	390	38.2	2650	0.61	3333	326.7	4.61
FBR5030 DD	6~15	12	3400	0.2	290	28.4	2900	1.14	1976	193.7	6.60



FBR5030 A

24V

FBR5030 DD

12V

