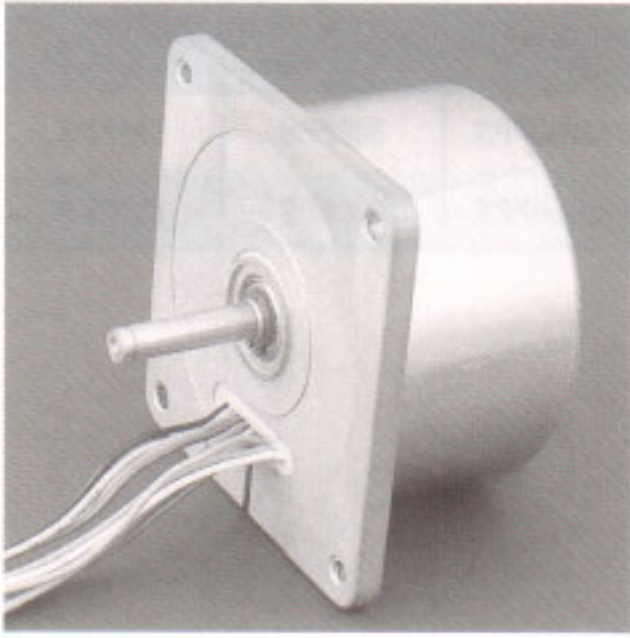


FBR6541

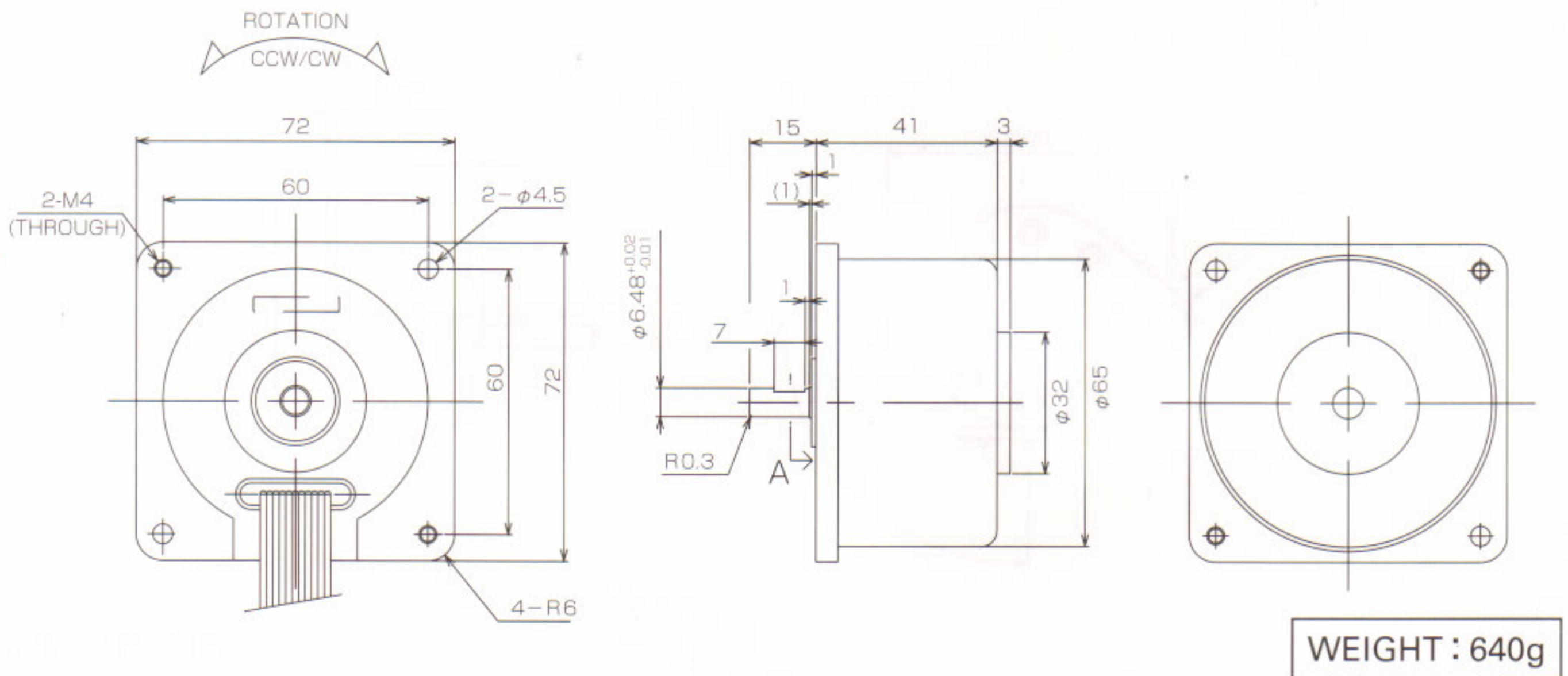
FB-801

主な用途 / コピー機
貨幣般送機

Main Application / Copying machine
Coin carrier



MODEL	VOLTAGE		NO LOAD*		AT MAXIMUM EFFICIENCY				STALL		
	OPERATING RANG	RATED	SPEED	CURRENT	TORQUE		SPEED	CURRENT	TORQUE		CURRENT
			r/min	A	g-cm	mN-m	r/min	A	g-cm	mN-m	A
FBR6541 A1	10~30	24	3300	0.2	940	92.1	2900	1.56	7857	770.0	11.57
FBR6541 D1	10~30	24	3200	0.2	1000	98.0	2850	1.72	9142	896.0	14.10
FBR6541 E	10~30	24	4200	0.23	970	96.0	3750	1.90	9130	894.8	15.95
FBR6541 F	10~30	24	2300	0.13	940	92.1	2050	1.10	8880	870.3	9.39



FBR6541 A1

24V

FBR6541 F

24V

