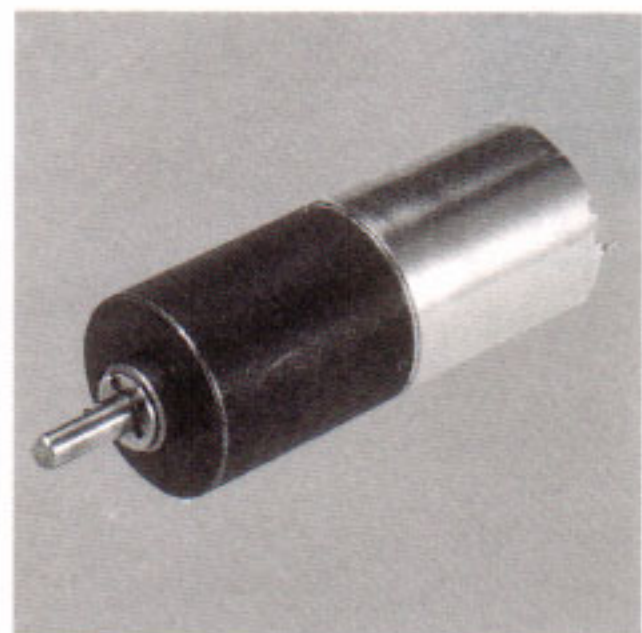


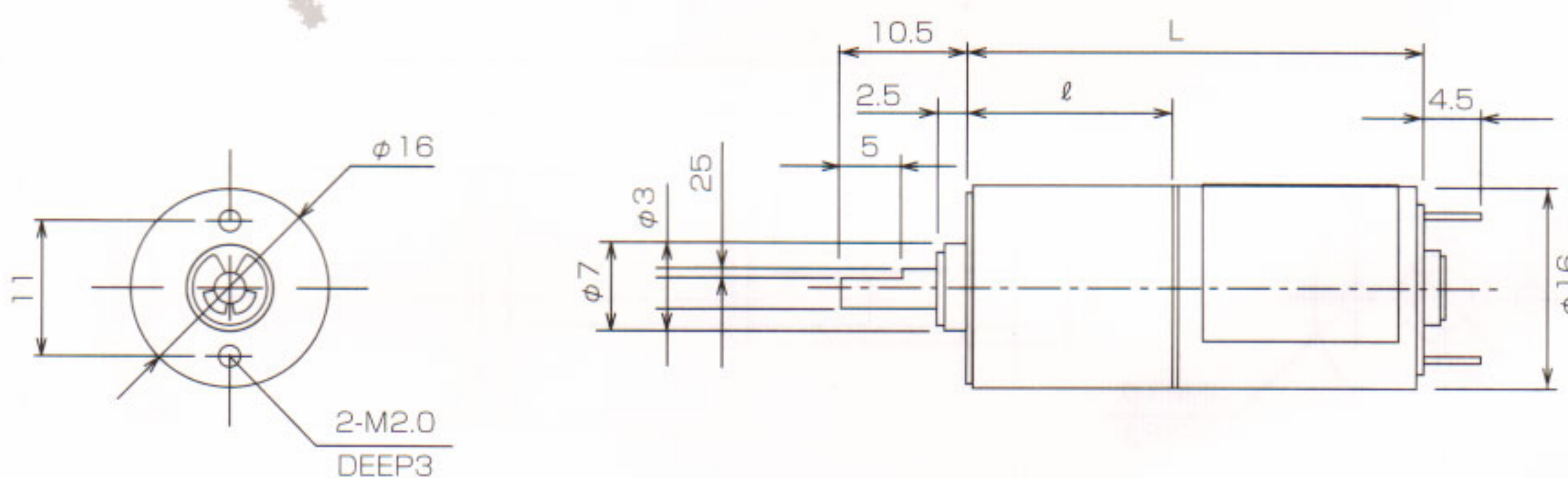
FGR161621 SERIES FG-45

主な用途 / ATM
ロボット
監視カメラ

Main Application / Automated teller machine
Robot
Monitoring camera



MODEL	VOLTAGE		NO LOAD		AT MAXIMUM EFFICIENCY			
	OPERATING RANG	RATED	SPEED	CURRENT	TORQUE		SPEED	CURRENT
			r/min	A	g-cm	mN-m	r/min	A
FMR1621A	12	6~15	13500	0.05	8	0.78	11100	0.21



WEIGHT : 35g

ギヤードモーター仕様

MODEL	Reduction ratio (減速比)	$\frac{1}{4}$	$\frac{1}{6}$	$\frac{1}{16}$	$\frac{1}{24}$	$\frac{1}{36}$	$\frac{1}{64}$	$\frac{1}{96}$	$\frac{1}{144}$	$\frac{1}{216}$	$\frac{1}{256}$	$\frac{1}{384}$	$\frac{1}{576}$	$\frac{1}{864}$	$\frac{1}{1296}$
FMR1621A	SPEED(r/min)	2250	1400	520	345	230	120	80	54	38	28	18	12.4	8.7	6.5
	TORQUE(kg-cm)	0.02	0.03	0.08	0.12	0.18	0.32	0.48	0.72	1.0	1.2	1.9	2.8	4.0	4.0
	TORQUE(mN-m)	2.0	2.9	7.8	11.8	17.6	31.4	47.0	70.6	98.0	118.0	186.0	274.0	392.0	392.0
寸法	ℓ (mm)	9.5		12.5			15.5			19.5					
	L(mm)	30.0		33.0			36.0			40.0					