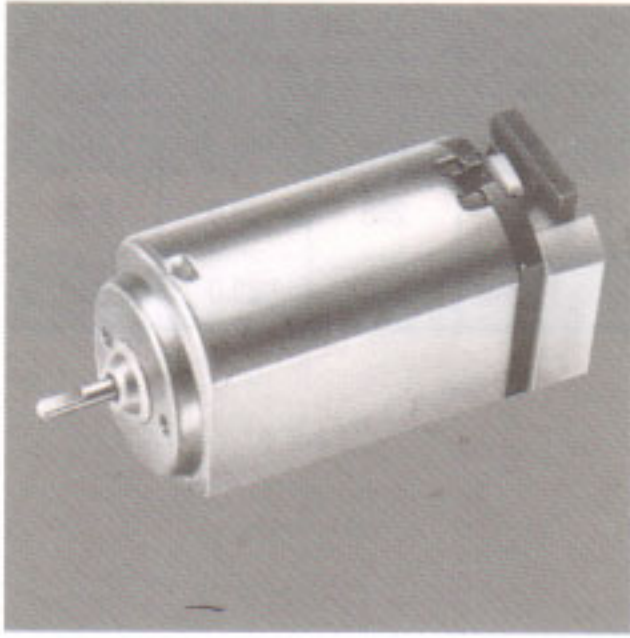


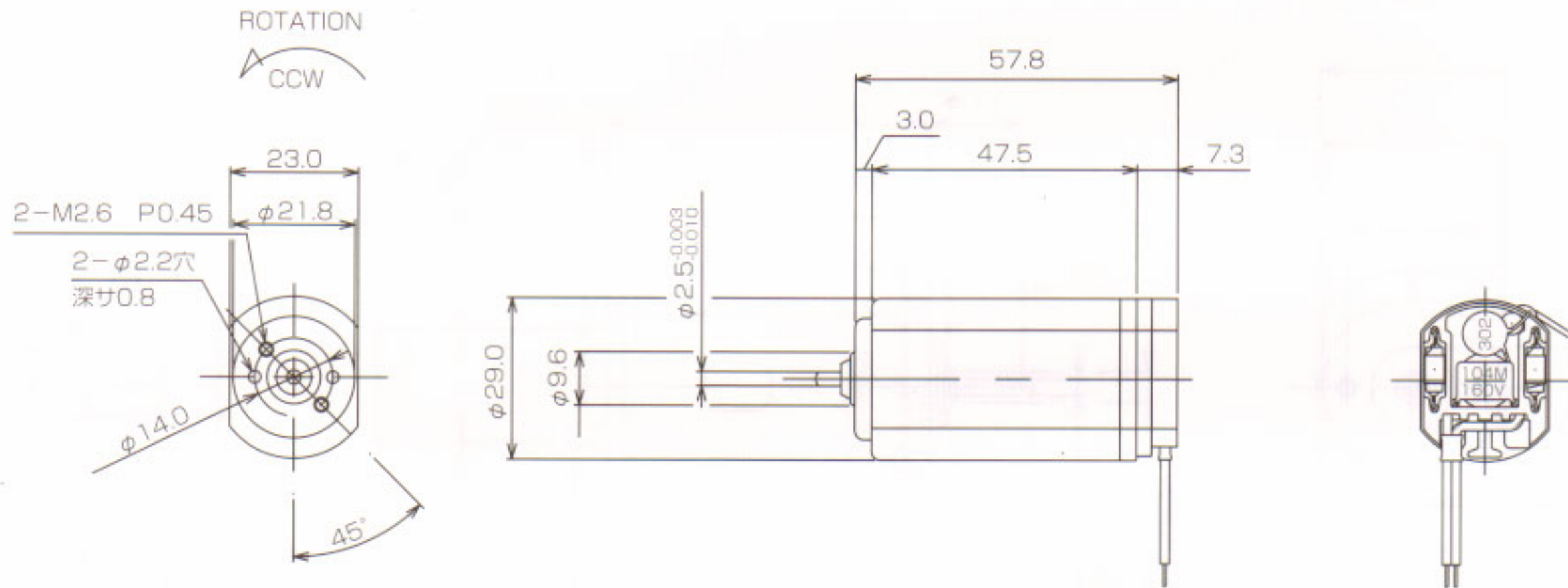
# FMF2350 FM-47

主な用途 / バリカン  
電動ジャロジー

Main Application / Hair clipper  
Electric jalousie



MODEL	VOLTAGE		NO LOAD		AT MAXIMUM EFFICIENCY				STALL		
	OPERATING RANG	RATED	SPEED	CURRENT	TORQUE		SPEED	CURRENT	TORQUE		
			r/min	A	g-cm	mN-m	r/min	A	g-cm	mN-m	A
FMF2350 D	2~8	6	5700	0.23	57.0	5.59	4450	0.84	260	25.5	3.02



WEIGHT : 75g

## FMF2350 D

6V

