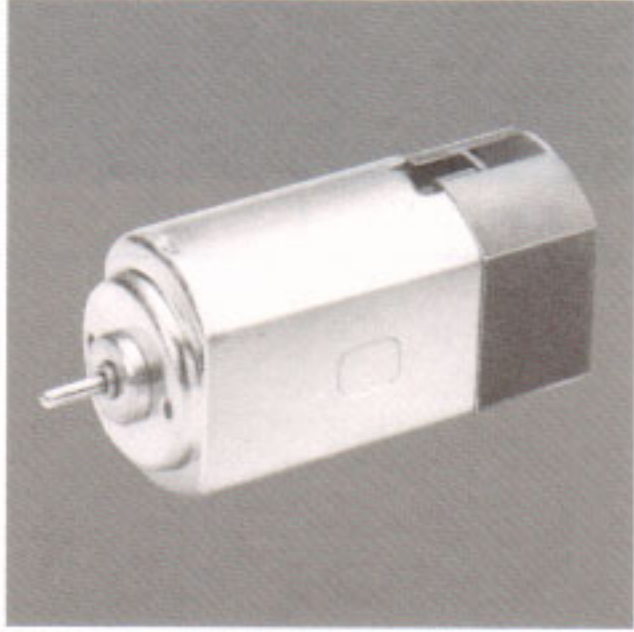


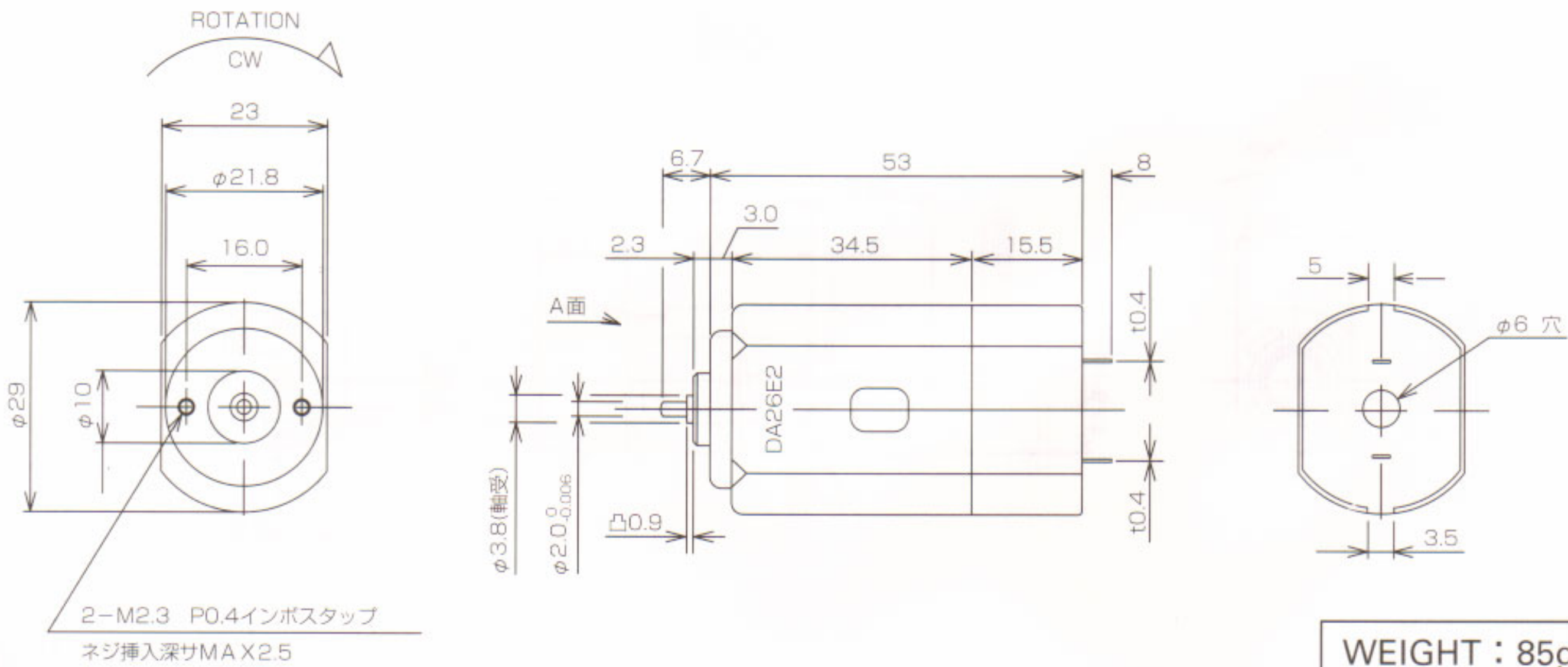
FMF2353 FM-59

主な用途/交流式バリカン

Main Application/AC hair clipper



MODEL	VOLTAGE		NO LOAD [*]		AT MAXIMUM EFFICIENCY				STALL		
	OPERATING RANG	RATED	SPEED	CURRENT	TORQUE		SPEED	CURRENT	TORQUE		
			r/min	A	g-cm	mN-m	r/min	A	g-cm	mN-m	A
FMF2353 C	80~120	100(AC)	6700	0.014	(10)	(0.98)	(6000)	(0.022)	—	—	—
FMF2353 E2	80~120	100(AC)	11600	0.05	(50)	(4.90)	(7100)	(0.085)	—	—	—



FMF2353 C

100VAC

