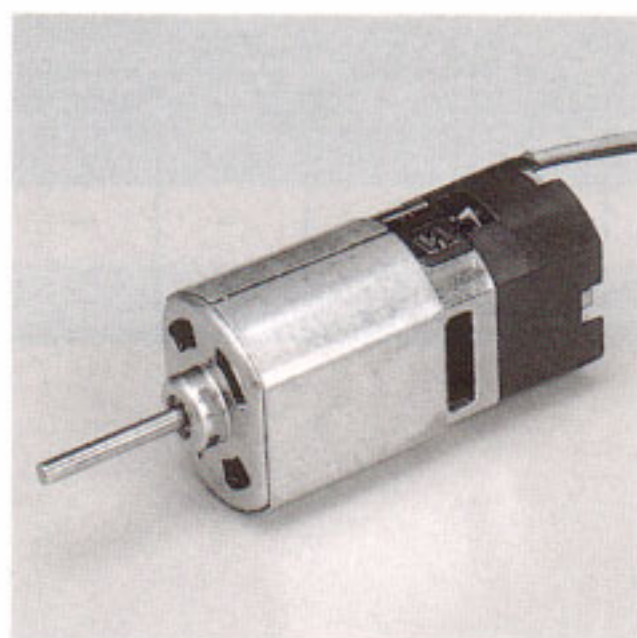


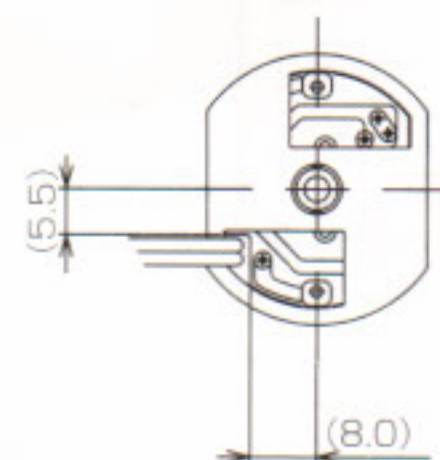
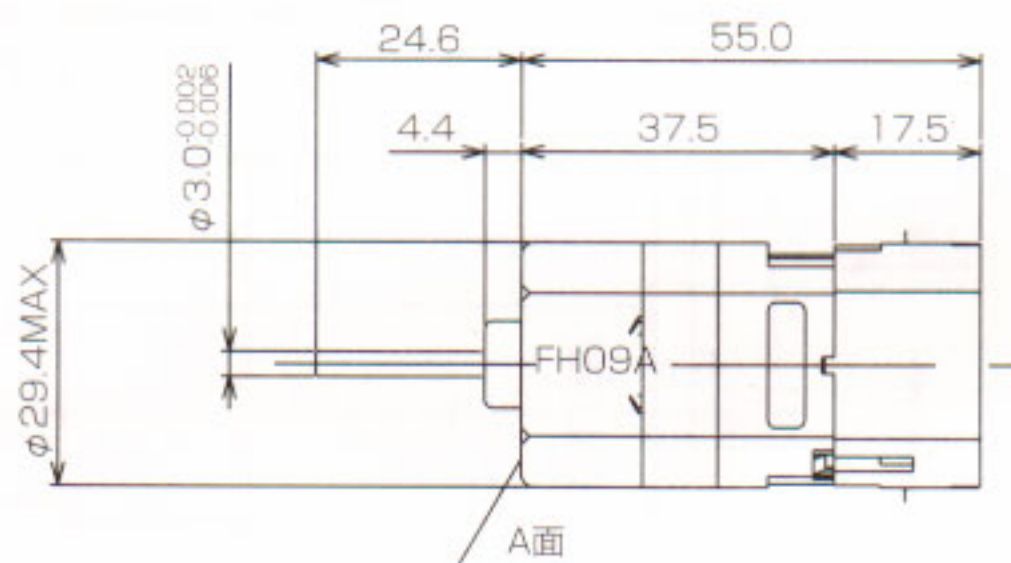
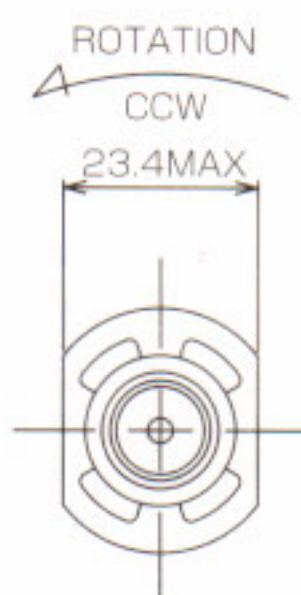
FMF2355 FM-128

主な用途 / 掃除機
パワーブラシ

Main Application / Vacuum cleaner
Power brush



MODEL	VOLTAGE		NO LOAD		AT MAXIMUM EFFICIENCY				STALL		
	OPERATING RANG	RATED	SPEED	CURRENT	TORQUE		SPEED	CURRENT	TORQUE		
			r/min	A	g-cm	mN-m	r/min	A	g-cm	mN-m	A
FMF2355A	80~120	100	15100	0.1	(150)	(14.7)	(9,000)	(0.35)			



WEIGHT : 100g

FMF2355 A

100VAC

