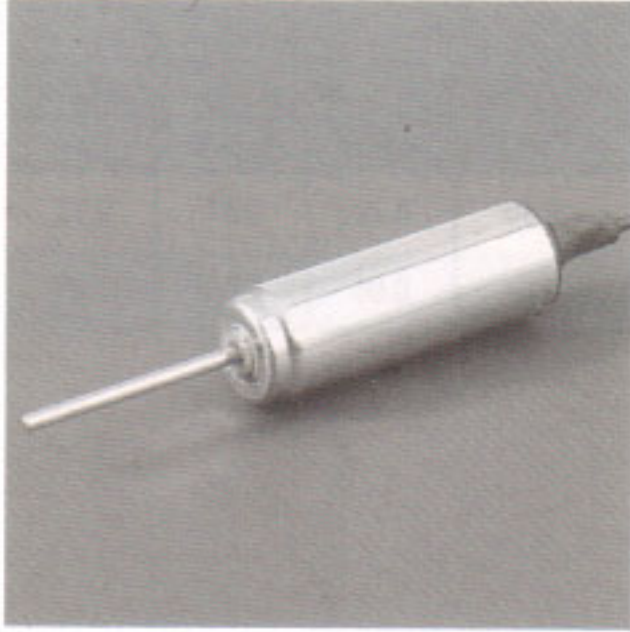


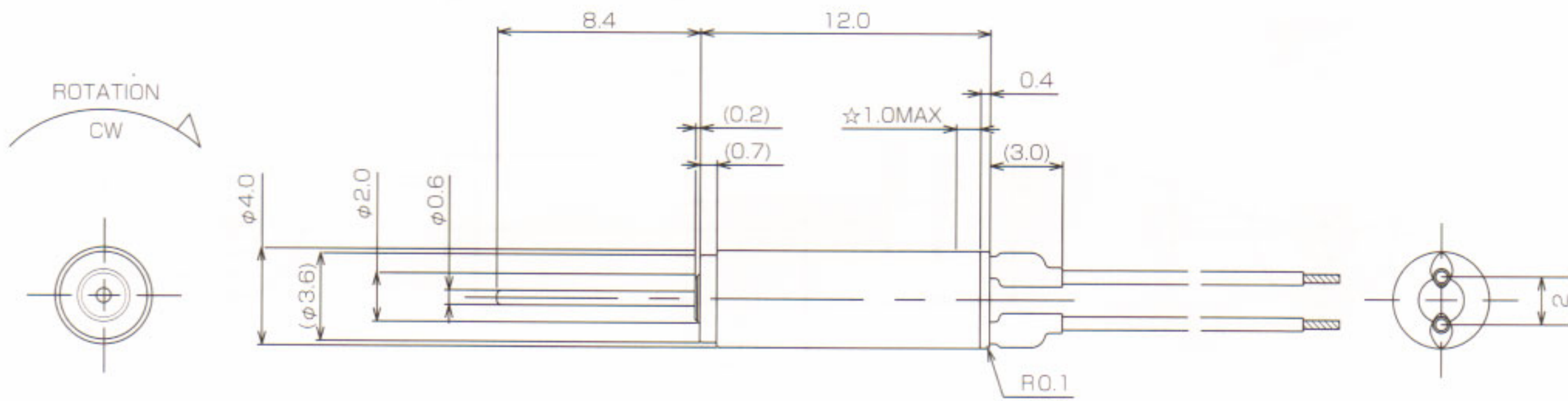
FMR0412 FM-114

主な用途 / 携帯電話
PHS

Main Application / Portable telephone
Personal handy phone system



MODEL	VOLTAGE	NO LOAD		RATED LOAD			STALL			
		RATED	SPEED	CURRENT	TORQUE		SPEED	CURRENT	TORQUE	
	r/min		A	g-cm	mN-m	r/min	A	g-cm	mN-m	A
FMR0412 DS	1.3	20800	0.05	0.25	0.02	8900	0.09	0.44	0.04	0.13
FMR0412 BS	3	24800	0.02	0.25	0.02	11700	0.05	0.47	0.05	0.07



WEIGHT : 2g

FMR0412 DS

1.3V

