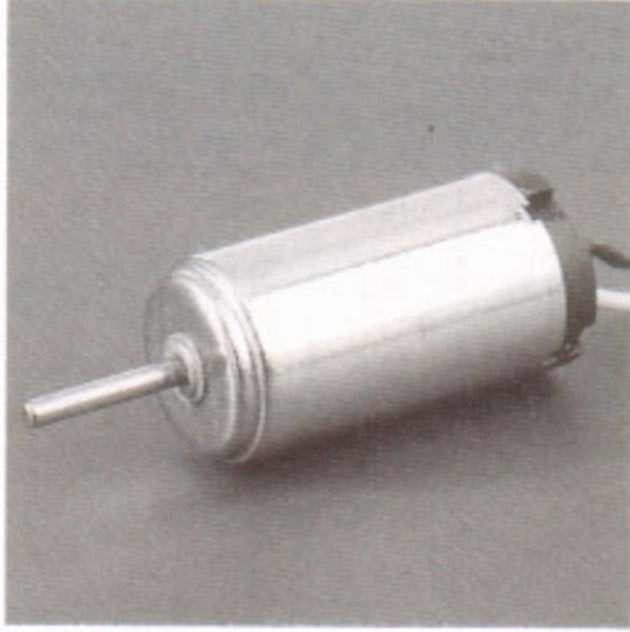


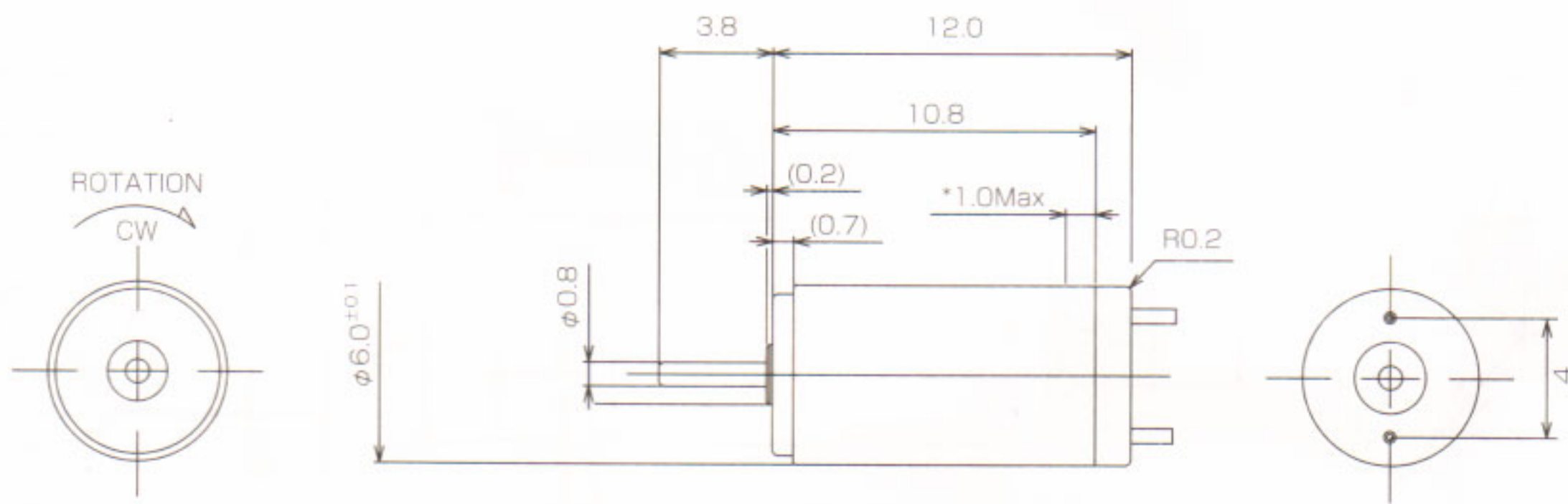
FMR0612 FM-112

主な用途 / 携帯電話
PHS
タイマー

Main Application / Portable telephone
Personal handy phone
Timer



MODEL	VOLTAGE	NO LOAD *		RATED LOAD			STALL			
		SPEED	CURRENT	TORQUE		SPEED	CURRENT	TORQUE	CURRENT	
	RATED	r/min	A	g-cm	mN-m	r/min	A	g-cm	mN-m	A
FMR0612 G	1.3	12700	0.03	0.5	0.05	6000	0.08	0.95	9.09	0.13
FMR0612 B	3	11200	0.03	0.5	0.05	5600	0.04	0.99	0.10	0.05



WEIGHT : 3g

FMR0612 G

1.3V

