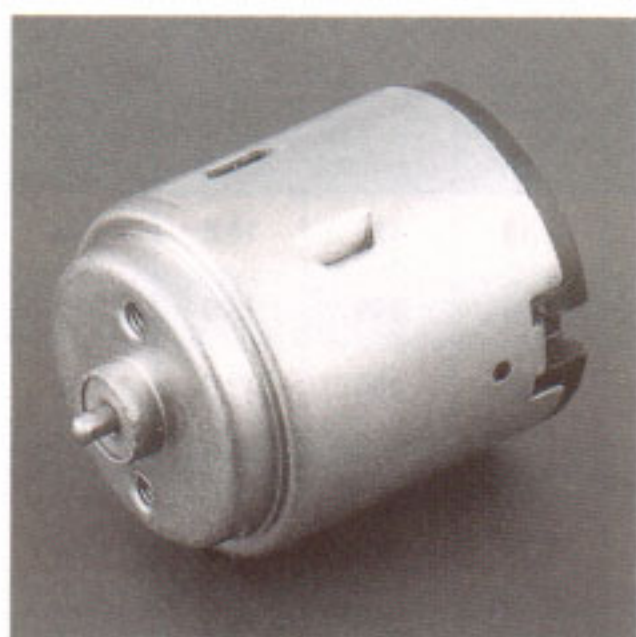


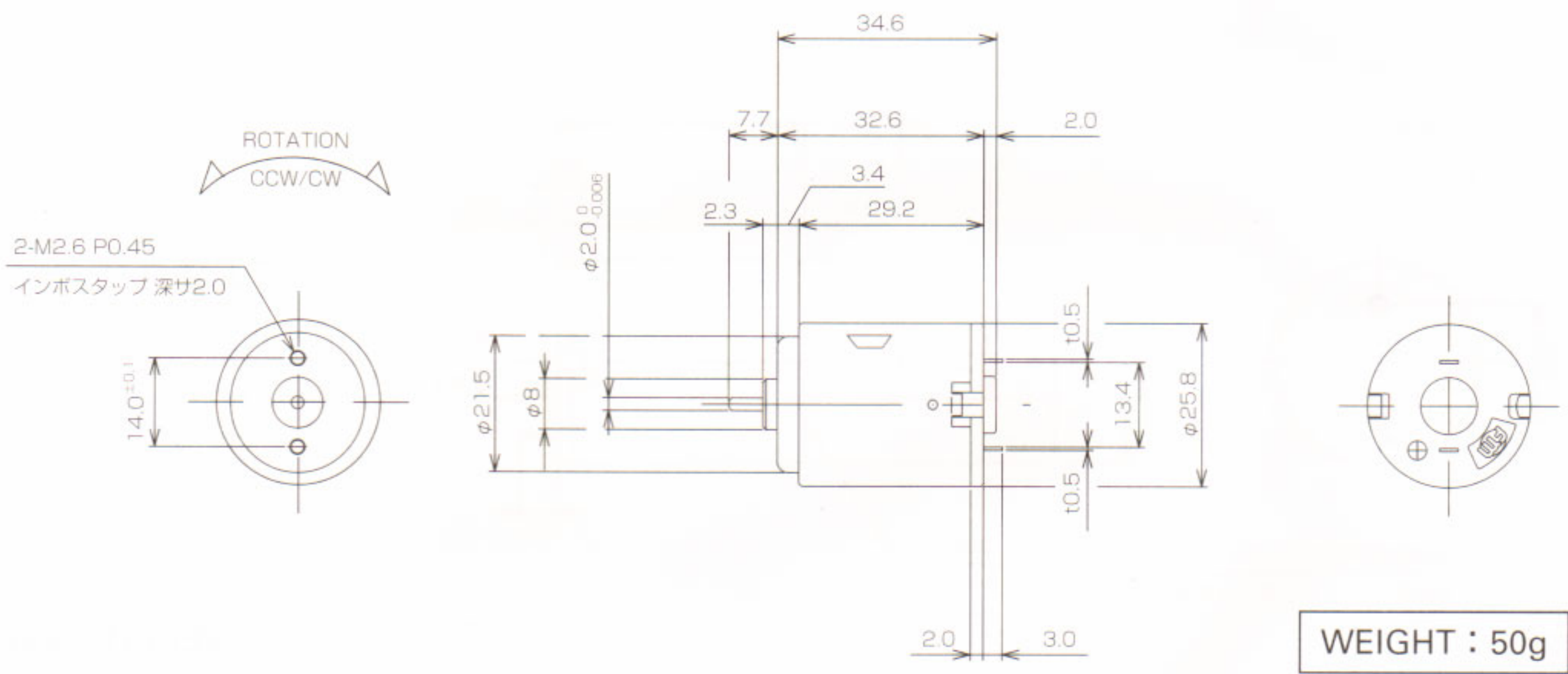
FMR2532 FM-110

主な用途 / ドライヤー
紙幣識別機
シャワートイレファン

Main Application / Hair dryer
Bill discriminator
Shower toilet fan



MODEL	VOLTAGE		NO LOAD		AT MAXIMUM EFFICIENCY				STALL		
	OPERATING RANG	RATED	SPEED	CURRENT	TORQUE		SPEED	CURRENT	TORQUE		CURRENT
			r/min	A	g-cm	mN-m	r/min	A	g-cm	mN-m	A
FMR2532 MF	6~15	12	6400	0.06	30	2.94	5100	0.25	160	15.7	1.02
FMR2532 MJ	6~15	12	8700	0.15	47	4.61	6800	0.54	218	21.4	1.96
FMR2532MB2	10~30	24	7800	0.045	42	4.12	6300	0.2	218	21.4	0.85
FMR2532 MA	10~30	24	13000	0.13	67	6.57	10200	0.47	311	30.5	1.71



FMR2532 MB2

24V

