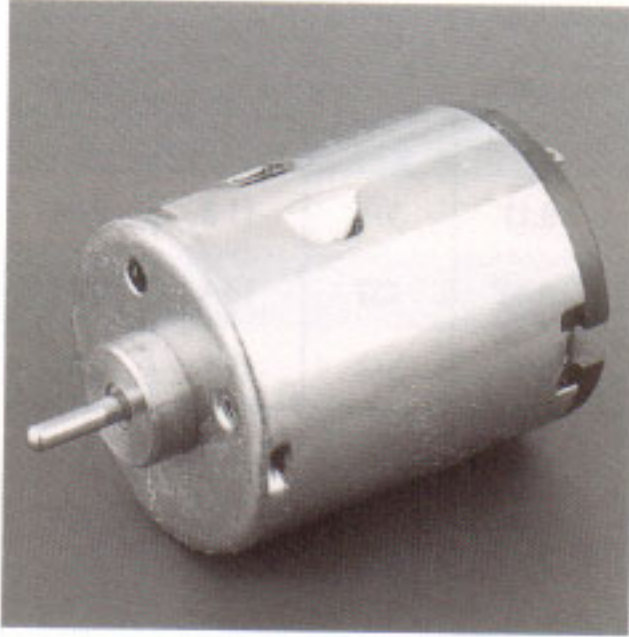


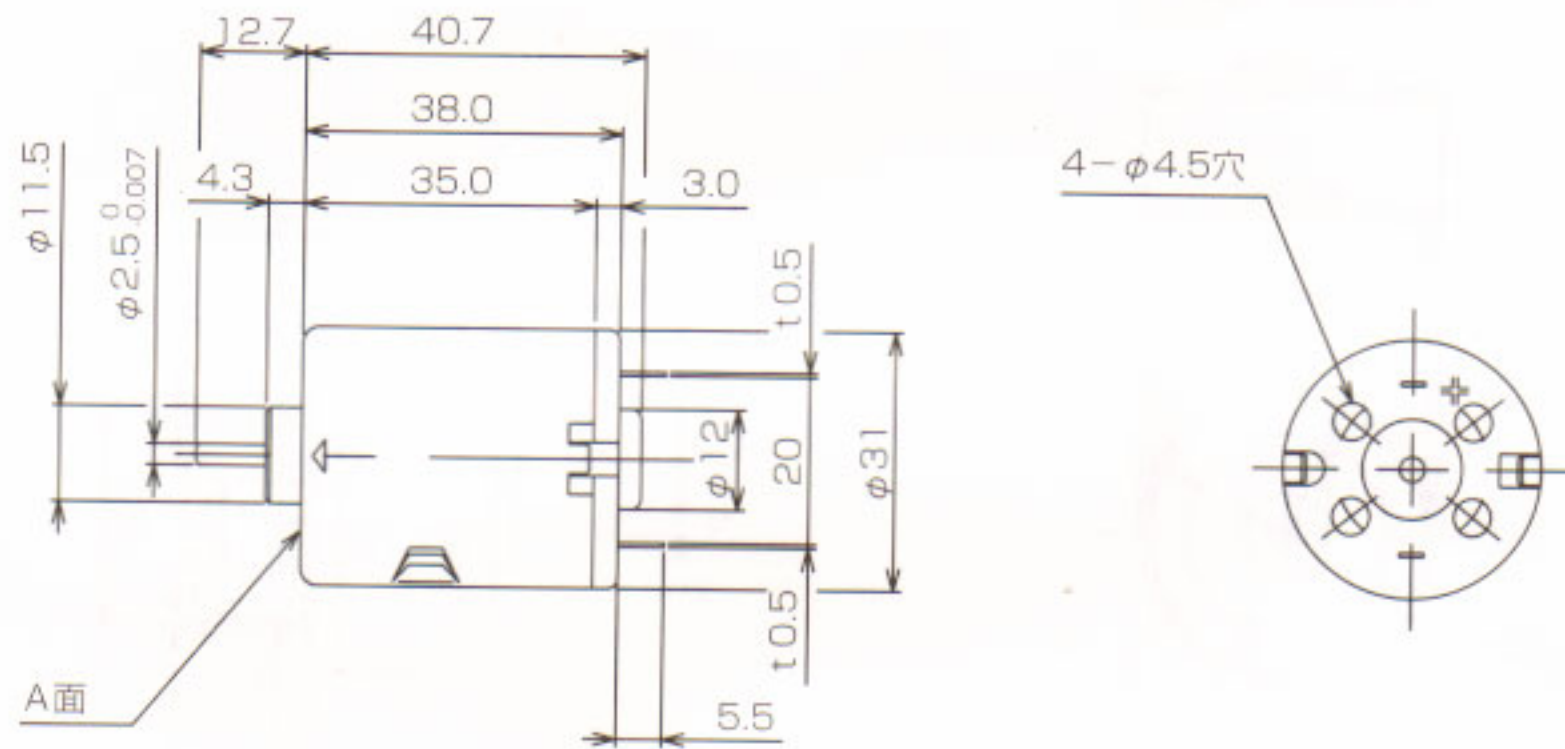
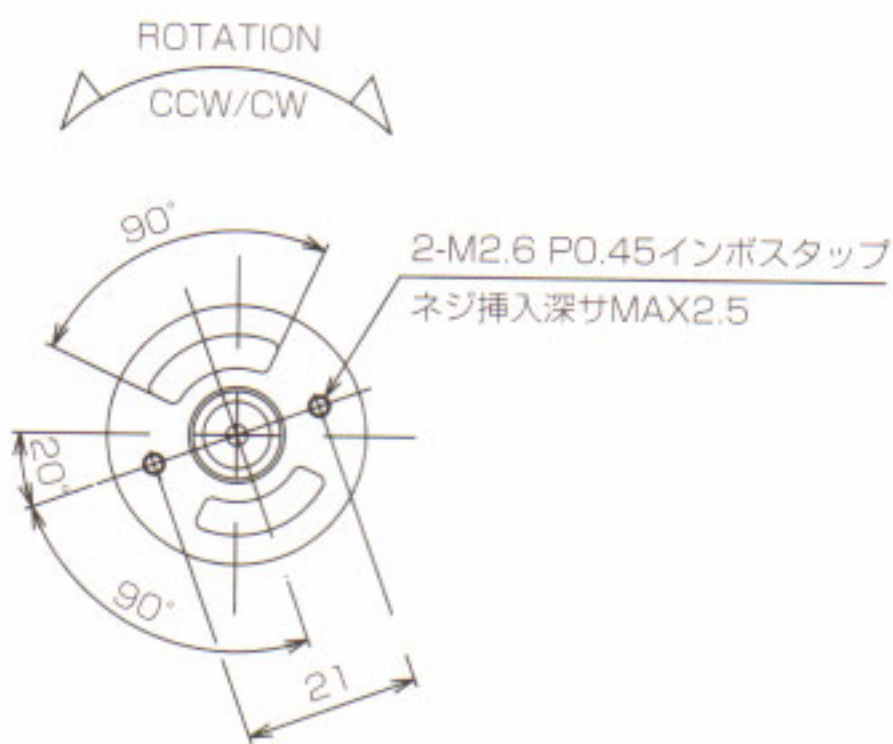
FMR3138 FM-60

主な用途 / 自動販売機
紙幣識別機
電動工具
エアコンダンパー
監視カメラ

Main Application / Vending machine
Bill discriminator
Electric tool
Auto air conditioner damper
Monitoring camera



MODEL	VOLTAGE		NO LOAD		AT MAXIMUM EFFICIENCY				STALL		
	OPERATING RANG	RATED	SPEED r/min	CURRENT A	TORQUE		SPEED r/min	CURRENT A	TORQUE		
					g-cm	mN-m			g-cm	mN-m	A
FMR3138 LHA	2~8	5	6200	0.3	86	8.43	5150	1.53	508	49.8	7.57
FMR3138 LE	10~30	24	5500	0.07	98	9.60	4500	0.32	539	52.8	1.45
FMR3138 RA	10~30	24	16000	0.22	128	12.54	13400	1.15	788	77.2	5.95
FMR3138 LJ	10~30	24	6800	0.075	91	8.92	5600	0.36	515	50.5	1.69
FMR3138 RA2	10~30	24	11500	0.135	112	10.98	9700	0.74	714	70.0	3.99



WEIGHT : 100g

FMR3138 LE

24V

FMR3138 RA

24V

