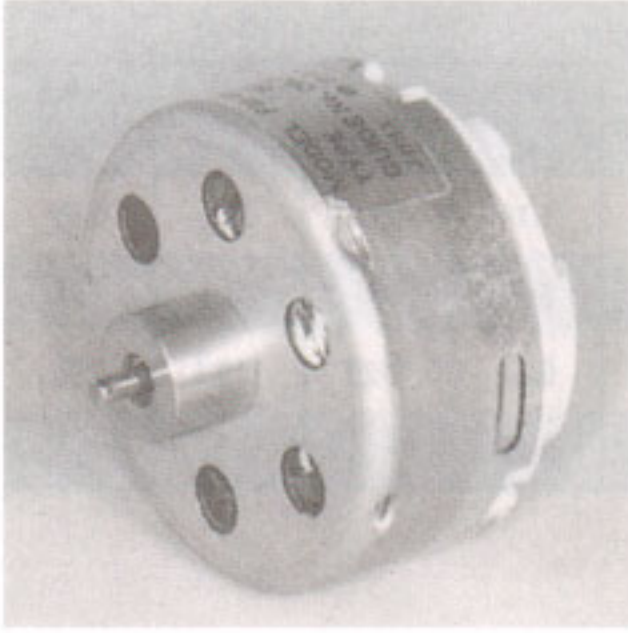


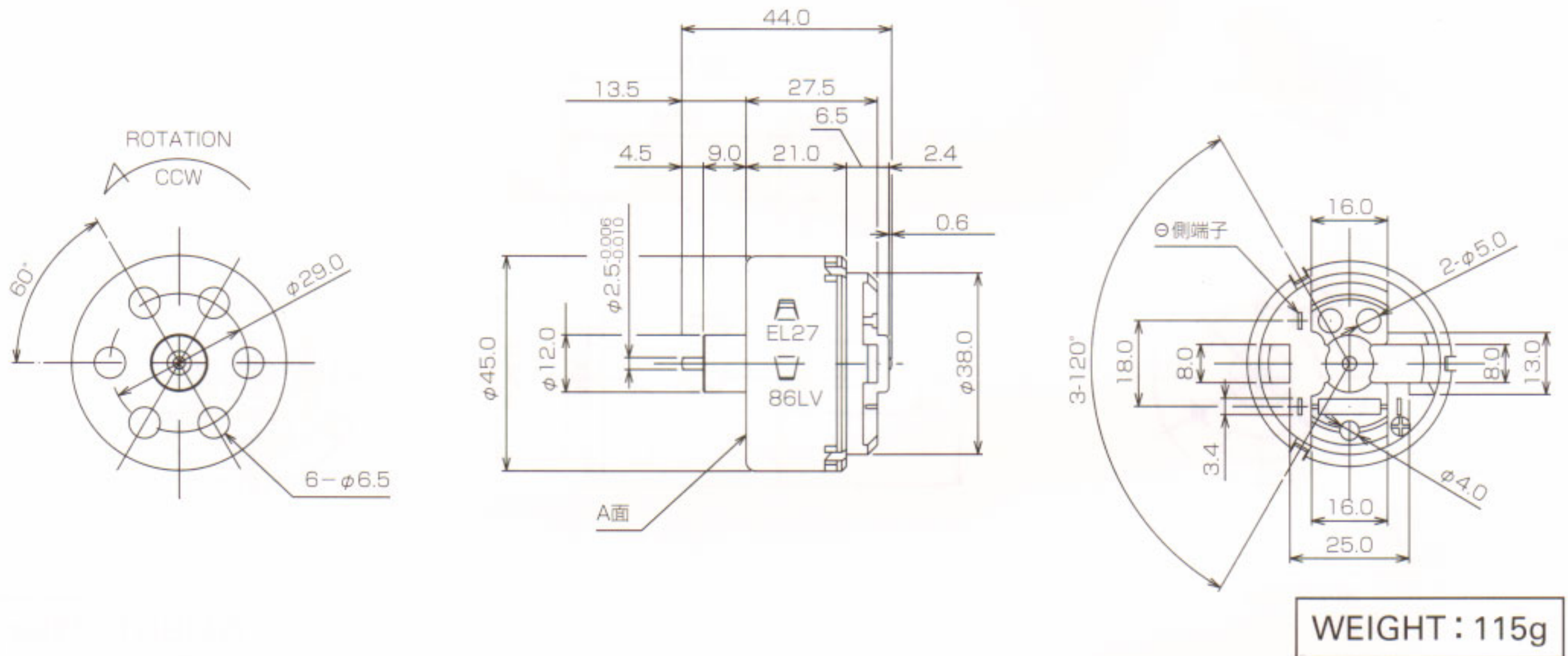
FMR4527 FM-86

主な用途/マッサージャー

Main Application/Massager



MODEL	VOLTAGE		NO LOAD		AT MAXIMUM EFFICIENCY				STALL		
	OPERATING RANG	RATED	SPEED r/min	CURRENT A	TORQUE		SPEED r/min	CURRENT A	TORQUE		CURRENT A
					g-cm	mN-m			g-cm	mN-m	A
FMR4527 LM	10~30	2.4	6050	0.55	68	6.66	4900	2.34	358	35.1	9.45
FMR4527 LW	10~30	26.5	6600	0.06	75	7.35	5200	0.25	377	37.0	1.0
FMR4527 LS	80~120	100AC	7200	0.03	(60)	(5.88)	(5300)	(0.85)	—	—	—
FMR4527 LV	80~120	120AC	6800	0.05	(60)	(5.88)	(5200)	(0.1)	—	—	—
FMR4527 LV1	100~240	220AC	7600	0.03	(60)	(5.88)	(5150)	(0.06)	—	—	—



FMR4527 LM

2.4V

