

業界最薄、超迷你散熱扇

微米扇

DC ATOMIC COOLER

NEW

特點 FEATURES

- 超小/超薄，適用小型電子機器等
- 高效率. 低耗電.
- 高風量. 低噪音
- 自潤軸受. 壽命長
- Extra mini and slim, extremely suitable for portable electronic devices
- High efficiency and low power
- High airflow and low noise
- Self-lubricative bearing used for a long service life

RFA1504D

15*15*4mm



RFA1804D

18*18*4mm



適用產品 APPLICATIONS

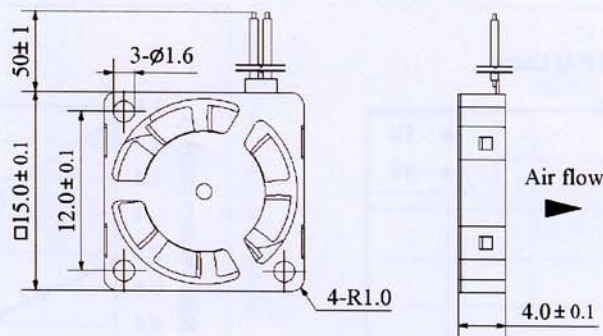
顯示卡晶片組(for NB). 記憶體模組(for PC and NB). 高階手機. PDA 等. 儀器散熱對流

Our atomic cooler is applicable to cooling of the precise electronic commodities, such as video processing chipset for NB, memory module for desktops and NB, and high-end smart phone/PDA and so on.

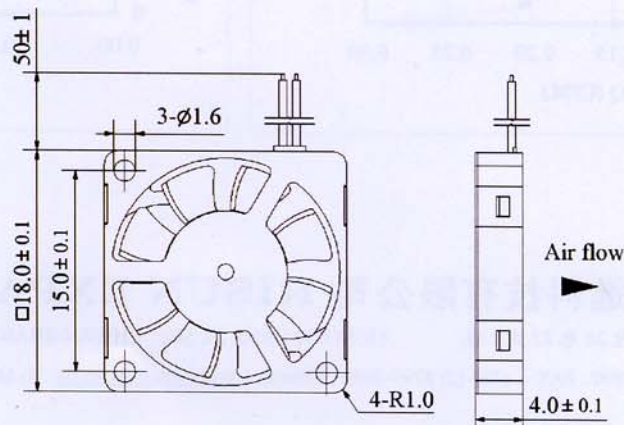
尺寸 DIMENSIONS

(單位: mm)

➤ RFA1504D



➤ RFA1804D



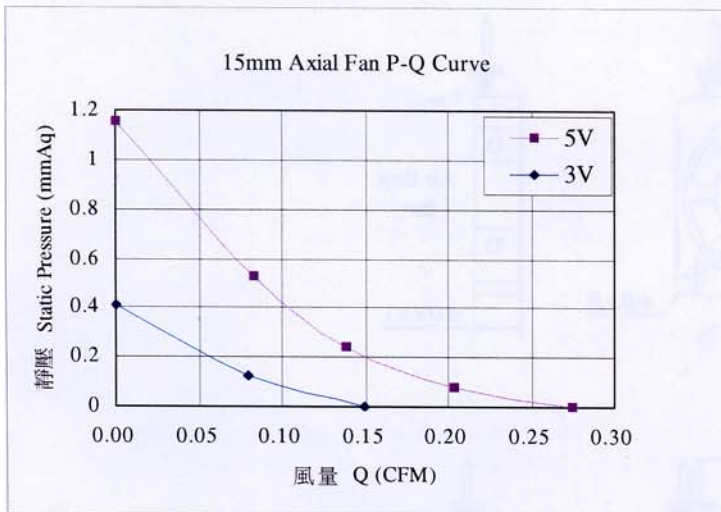
規 格 SPECIFICATIONS

型 號 Model Number	RFA1504D	RFA1804D
品 名 Product Name	微米扇 Atomic Cooler	微米扇 Atomic Cooler
軸 承 Bearing	軸射軸承 Axially-grooved Bearing	軸射軸承 Axially-grooved Bearing
額定電壓 Rated Voltage (VDC)	3.0	3.0
運轉電壓 Operating Voltage (VDC)	2.8~3.3	2.8~3.3
額定電流 Rated Current (mA)	55	60
轉 速 Rotation Speed (RPM)	8,500	8,000
風 量 Air Flow (CFM)	0.15	0.45
靜 壓 Static Pressure (mmAq)	0.4	0.75
噪 音 Noise (dB(A))	20	20
重 量 Weight (g)	1.3	1.5

規格視實際情況更動，不作另行通知 Specifications subject to change without notice
 運轉環境溫度 Operating Temperature : -10 ~ +60°C

風量-靜壓圖 PERFORMANCE CURVE

➤ RFA1504D



➤ RFA1804D

