

鼓風機 Micro-Blower

特點 FEATURES

- ✦ 體積小
- ✦ 低耗電
 - ✦ 高風量
 - ✦ 壽命長
 - ✦ 有效冷卻
- ✦ Low profile
 - ✦ Low power
 - ✦ High airflow
 - ✦ Long service life
 - ✦ Efficient cooling



適用產品 APPLICATIONS

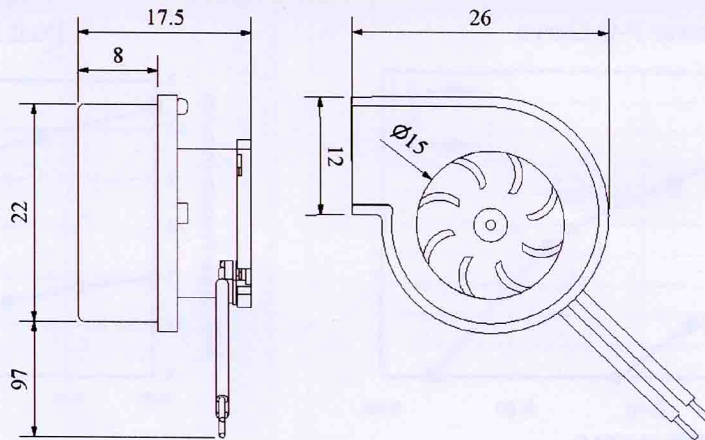
記憶體散熱模組、NB、PDA 內之散熱裝置

Memory cooling module, Cooling solutions for portable electronic devices, such as NB and PDA.

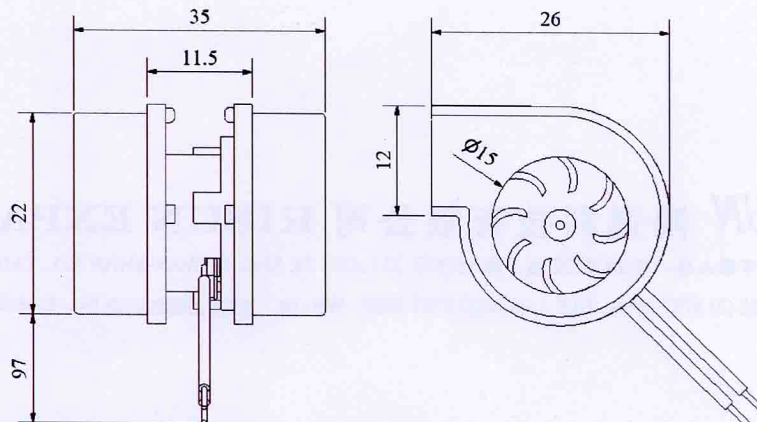
尺寸 DIMENSIONS

(單位：mm)

➤ RBS2226D



➤ RBT2235D



規 格 SPECIFICATIONS

| 型 號 Model Number | RBS2226D | RBT2235D |
|------------------------------|------------------------------|-----------------------------|
| 品 名 Product Name | 單向鼓風機 Single Micro-Blower | 雙同向鼓風機 Dual Micro-Blower |
| 額定電壓 Rated Voltage (VDC) | 3.0 | 3.0 |
| 運轉電壓 Operating Voltage (VDC) | 2.8 ~ 3.3 | 2.8 ~ 3.3 |
| 額定電流 Rated Current (mA) | 75 | 85 |
| 轉 速 Rotation Speed (RPM) | 7,500 | 6,000 |
| 風 量 Air Flow (CFM) | 0.45 | 0.7 |
| 靜 壓 Static Pressure (mmAq) | 1.5 | 1 |
| 噪 音 Noise (dB(A)) | 20 | 20 |
| 重 量 Weight(g) | 5.3 | 9.5 |

規格視實際情況更動，不作另行通知 Specifications subject to change without notice

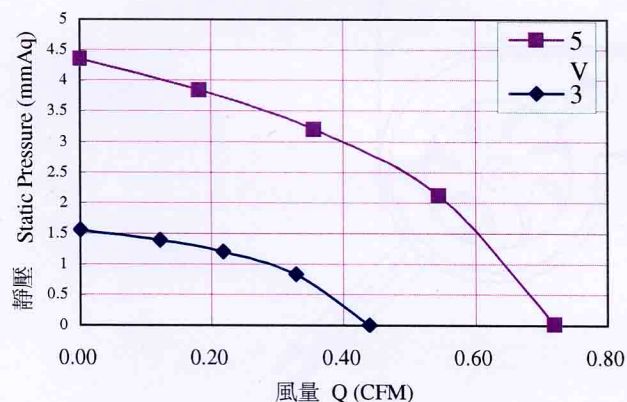
運轉環境溫度 Operating Temperature : -10~+60°C

風量-靜壓 PERFORMANCE CURVE

➤ RBS2226D 3V/5V

➤ RBT2235D 3V/5V

Single Blower P-Q Curve



Dual Blower P-Q Curve

