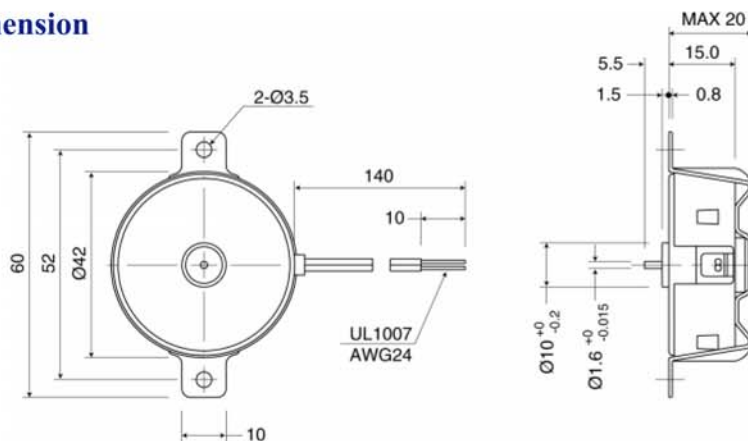


MOTORS

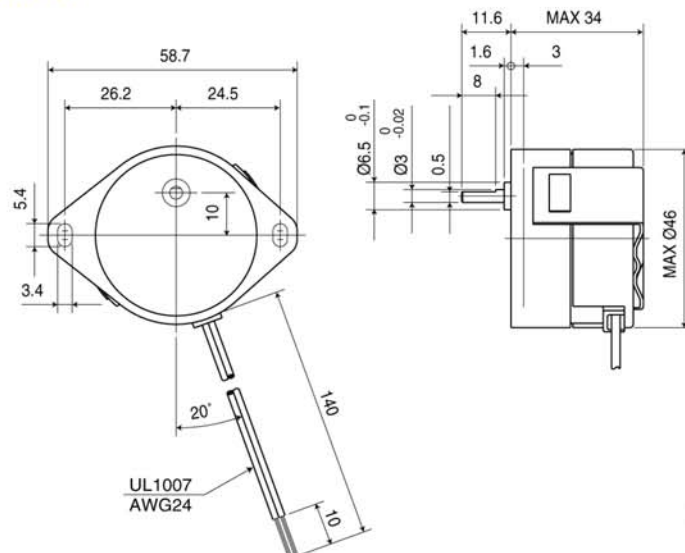
PTM-12E / PTM-12EG

Parameters	Units	PTM-12E (motor only)	PTM-12EG (motor with gearhead)							
Rated Voltage	V	12/24/100/117/220/240	12/24/100/117/220/240							
Voltage Range	%	± 10	± 10							
Frequency	Hz	50 / 60	50 / 60							
Current (100V)	mA	20 / 19	20 / 19							
Direction		CW or CCW	CW or CCW							
Temperature Rise	K	45	45							
Operating Temperature Range	°C	-10 ~ +50	-10 ~ +50							
Withstand Voltage		1500V AC for 10 sec.	1500V AC for 10 sec.							
Revolutions	rpm	500 / 600	1	2	4	5	6	10	15	20
Torque	mN•m	1.7	200	200	160	120	100	60	40	30
Mass	g	90	130							

PTM-12E Outline Dimension



PTM-12EG Outline Dimension



Dimensions in MM. Inches = MM*0.04