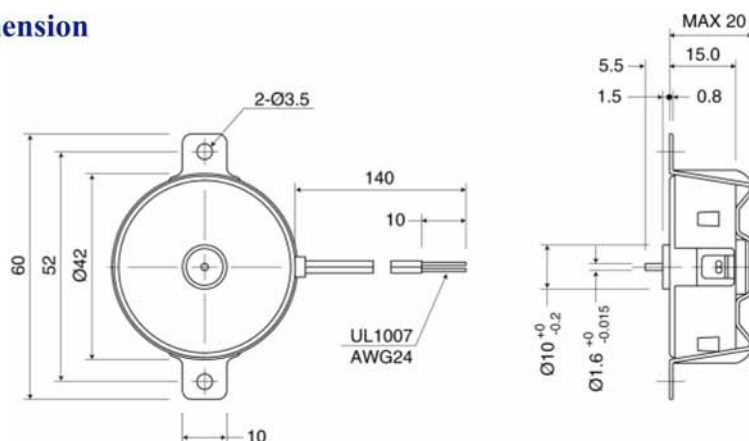


# MOTORS

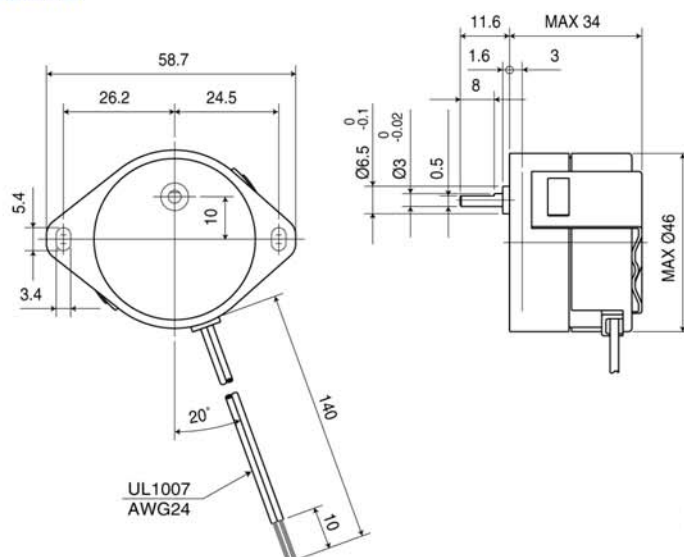
## PTM-12K / PTM-12KG

Parameters	Units	PTM-12K (motor only)	PTM-12KG (motor with gearhead)							
Rated Voltage	V	12/24/100/117/200	12/24/100/117/200							
Voltage Range	%	± 10	± 10							
Frequency	Hz	50 / 60	50 / 60							
Current (100V)	mA	18 / 17	18 / 17							
Direction		CW or CCW	CW or CCW							
Temperature Rise	K	35	35							
Operating Temperature Range	°C	-10 ~ +50	-10 ~ +50							
Withstand Voltage		1500V AC for 10 sec.	1500V AC for 10 sec.							
Revolutions	rpm	500 / 600	1	2	4	5	6	10	15	20
Torque	mN·m	1.0 / 0.9	200	150	120	100	80	50	32	25
Mass	g	90	120							

### PTM-12K Outline Dimension



### PTM-12KG Outline Dimension



Dimensions in MM. Inches = MM\*0.04