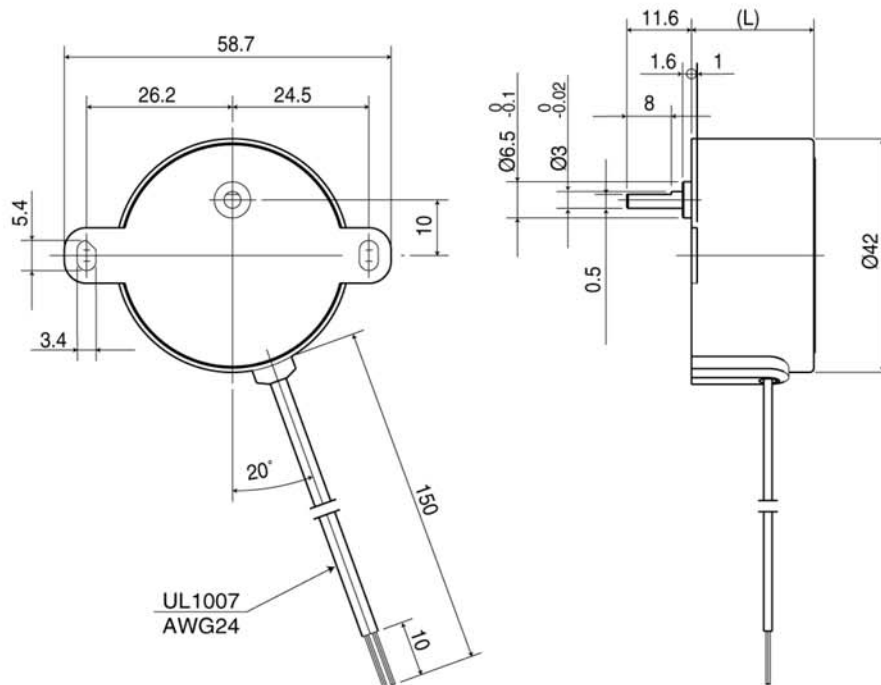


Parameters	Units	PTM-24AG										
Rated Voltage	V	6/12/24/100/117/200/220/240										
Voltage Range	%	± 10										
Frequency	Hz	50 / 60										
Current (100V)	mA	11 / 10										
Direction		CW or CCW										
Temperature Rise	K	30										
Operating Temperature Range	°C	-10 ~ +50										
Withstand Voltage		1500V AC for 10 sec.										
Revolutions	rpm	1/2	1/3	1/4	1/5	1/6	1/10	1/15	1/60	1/2 R/H	1/24 R/H	
Torque	mN•m	80										
Mass	g	90										
Motor Length (L)	mm	22								28		

Outline Dimension



Dimensions in MM. Inches = MM*0.04