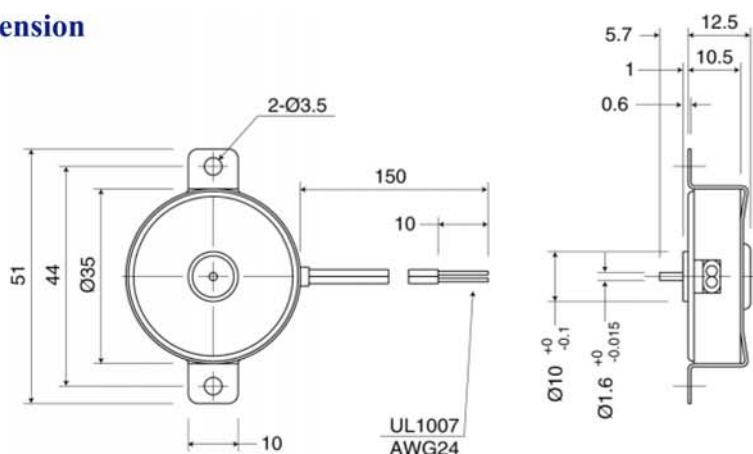


# MOTORS

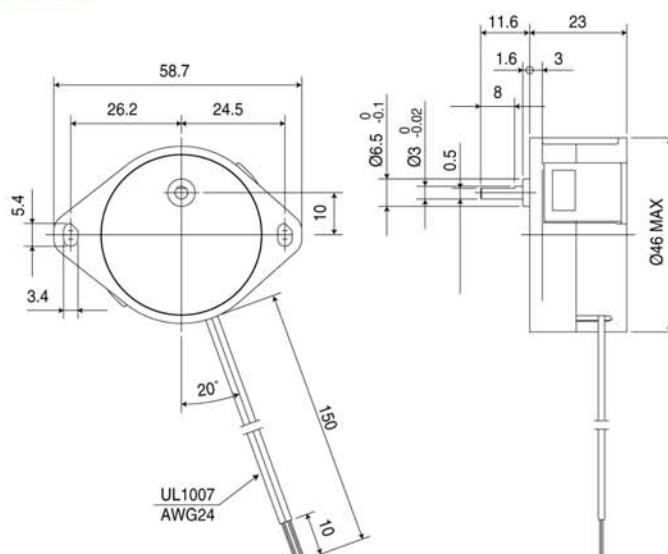
## PTM-24B / PTM-24BGII

Parameters	Units	PTM-24B (motor only)	PTM-24BGII (motor with gearhead)						
Rated Voltage	V	6/12/24/40/100/117/200/220/240	6/12/24/40/100/117/200/220/240						
Voltage Range	%	± 10	± 10						
Frequency	Hz	50 / 60	50 / 60						
Current (100V)	mA	11 / 10	11 / 10						
Direction		CW or CCW	CW or CCW						
Temperature Rise	K	30	30						
Operating Temperature Range	°C	-10 ~ 50	-10 ~ +50						
Withstand Voltage		1500V AC for 10 sec.	1500V AC for 10 sec.						
Revolutions		250 / 300	1	2	3	4	5	10	20
Torque	mN-m	0.5	100	50	35	25	20	10	5
Mass	g	35	70						

### PTM-24B Outline Dimension



### PTM-24BGII Outline Dimension



Dimensions in MM. Inches = MM\*0.04