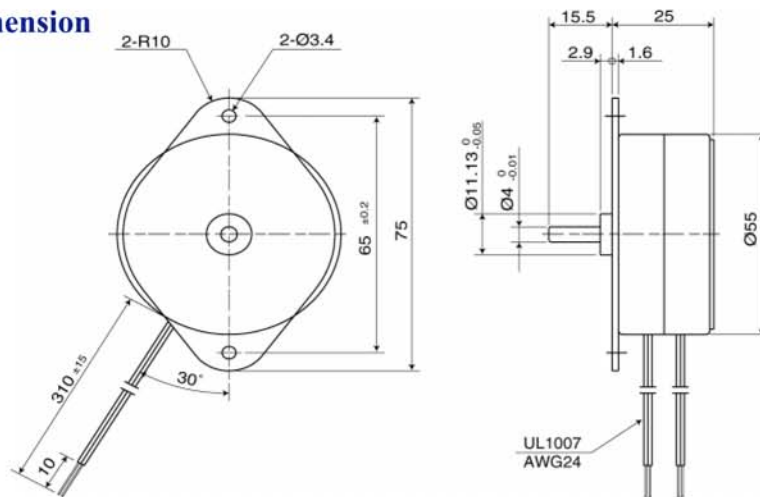


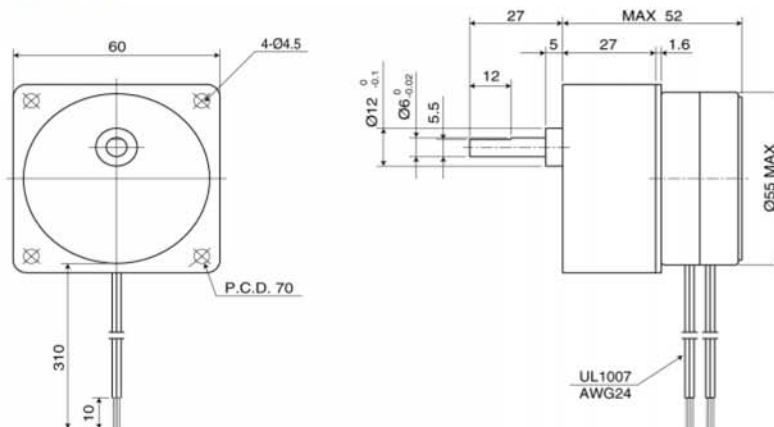
**MOTORS**  
**PTM-24F / PTM-24FG**

Parameters	Units	PTM-24F (motor only)	PTM-24FG (motor with gearhead)							
Rated Voltage	V	24/100/117/200/220	24/100/117/200/220							
Voltage Range	%	± 10	± 10							
Frequency	Hz	50 / 60	50 / 60							
Current (100V)	mA	35 / 45	35 / 45							
Direction		Reversible	Reversible							
Temperature Rise	K	50	50							
Operating Temperature Range	°C	-10 ~ +50	-10 ~ +50							
Withstand Voltage		1500V AC for 10 sec.	1500V AC for 10 sec.							
Revolutions	rpm	250 / 300	1	2	3	5	10	20	30	60
Torque	mN•m	35 / 30	1000	1000	1000	1000	650	360	240	120
Mass	g	300	500							

**PTM-24F Outline Dimension**



**PTM-24FG Outline Dimension**



Dimensions in MM. Inches = MM\*0.04