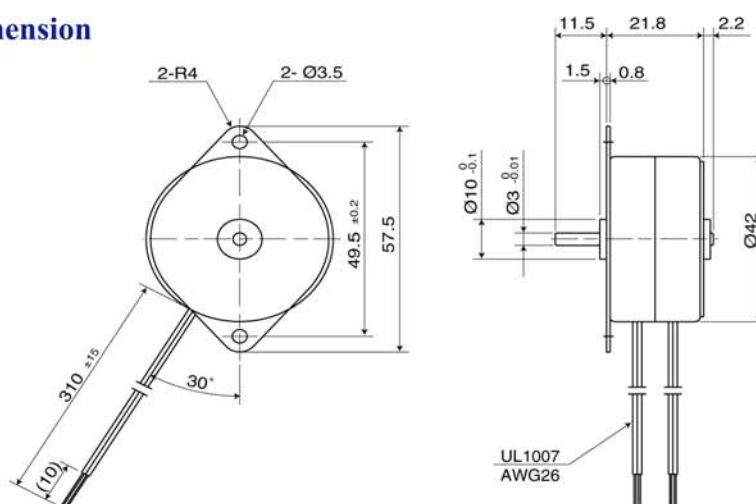


MOTORS

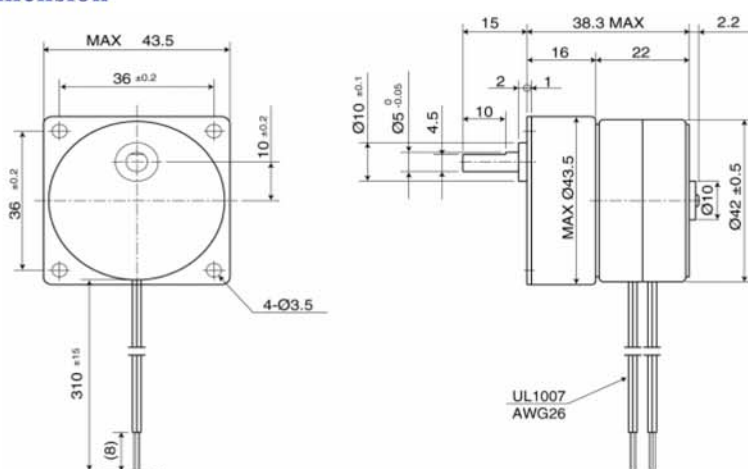
PTM-24H / PTM-24HG

Parameters	Units	PTM-24H (motor only)	PTM-24HG (motor with gearhead)							
Rated Voltage	V	24/100/117/200	24/100/117/200							
Voltage Range	%	± 10	± 10							
Frequency	Hz	50 / 60	50 / 60							
Current (100V)	mA	18 / 21	18 / 21							
Direction		Reversible	Reversible							
Temperature Rise	K	55	55							
Operating Temperature Range	°C	-10 ~ +50	-10 ~ +50							
Withstand Voltage		1500V AC for 10 sec.	1500V AC for 10 sec.							
Revolutions	rpm	250 / 300	1	2	3	5	10	20	30	60
Torque	mN•m	22 / 21.5	400	400	400	400	250	130	100	50
Mass	g	160	200							

PTM-24H Outline Dimension



PTM-24HG Outline Dimension



Dimensions in MM. Inches = MM*0.04