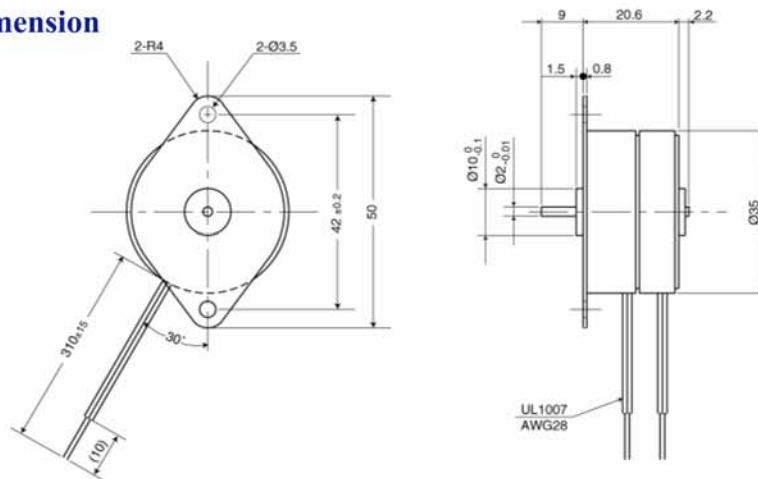


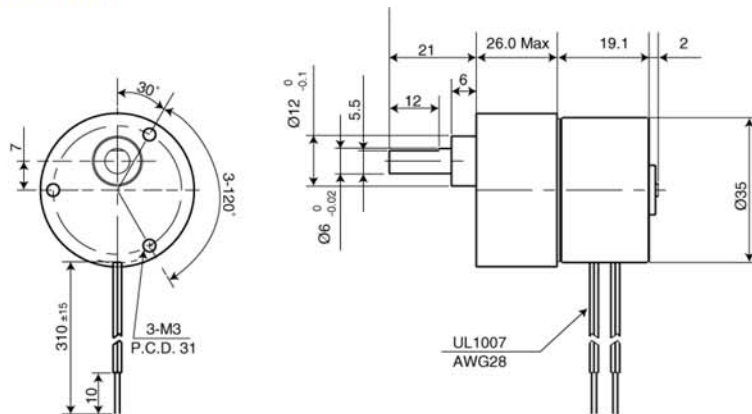
**MOTORS**  
**PTM-24M / PTM-24MG**

Parameters	Units	PTM-24M (motor only)	PTM-24MG (motor with gearhead)							
Rated Voltage	V	24/100	24/100							
Voltage Range	%	± 10	± 10							
Frequency	Hz	50 / 60	50 / 60							
Current (100V)	mA	16 / 17	16 / 17							
Direction		Reversible	Reversible							
Temperature Rise	K	55	55							
Operating Temperature Range	°C	-10 ~ +50	-10 ~ +50							
Withstand Voltage		1500V AC for 10 sec.	1500V AC for 10 sec.							
Revolutions	rpm	250 / 300	1/900	1/600	1/300	1/150	1/60	1/30	1/10	1/5
Torque	mN·m	12 / 12.5	600	600	600	500	380	220	90	45
Mass	g	80	112							

**PTM-24M Outline Dimension**



**PTM-24MG Outline Dimension**



Dimensions in MM. Inches = MM\*0.04