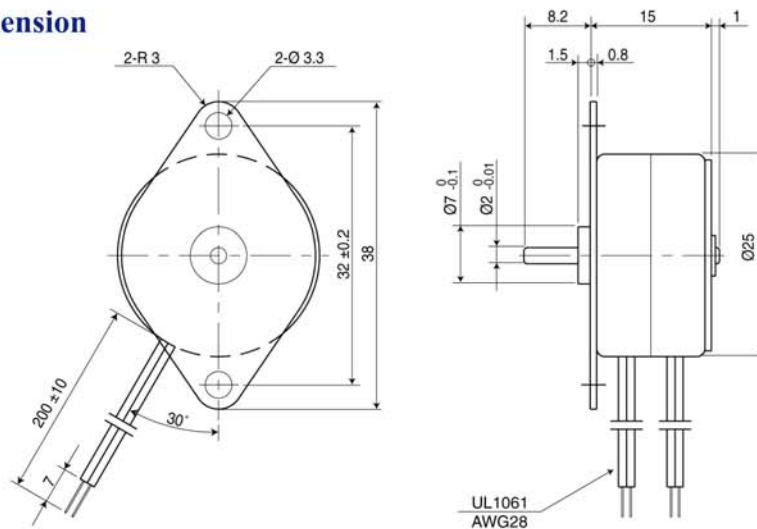


MOTORS

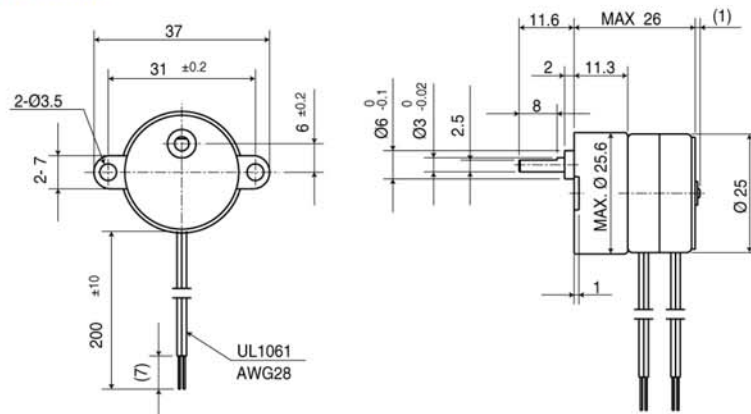
PTM-24P / PTM-24PG

Parameters	Units	PTM-24P (motor only)	PTM-24PG (motor with gearhead)									
Rated Voltage	V	24	24									
Voltage Range	%	± 10	± 10									
Frequency	Hz	50 / 60	50 / 60									
Current (100V)	mA	67 / 69	67 / 69									
Direction		Reversible	Reversible									
Temperature Rise	K	55	55									
Operating Temperature Range	°C	-10 ~ +50	-10 ~ +50									
Withstand Voltage		1500V AC for 10 sec.	1500V AC for 10 sec.									
Revolutions	rpm	250 / 300	1	2	3	4	5	10	20	30	60	
Torque	mN•m	5.3 / 5.5	100	100	100	100	100	60	30	20	10	
Mass	g	35	55									

PTM-24P Outline Dimension



PTM-24PG Outline Dimension



Dimensions in MM. Inches = MM*0.04